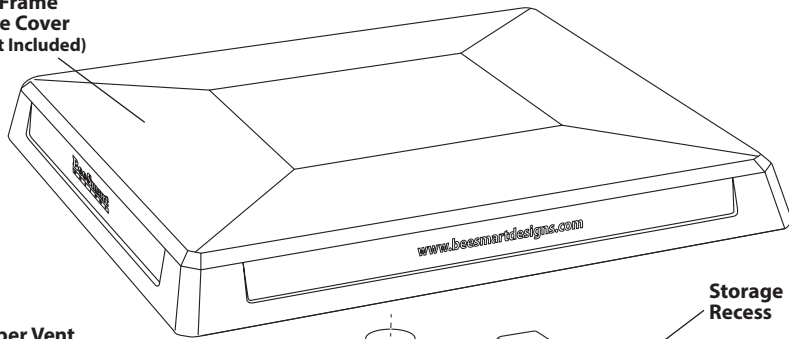


10-Frame
Hive Cover
(Not Included)



Upper Vent
Cap (1)

Storage
Recess

R-10
Insulation
Board

Finger
Grips

Upper
Entrance
Tunnel

Hive Tool
Access Point

Upper Entrance
Access Points

Upper Box
Support

Alignment
Pins

Entrance/
Ventilation
Disk (1)

8-Frame or
10-Frame Box
(Not Included)

Bee Smart
DESIGNS

195 Atlantic Avenue • Garden City Park, New York 11040

1-800-600-7446

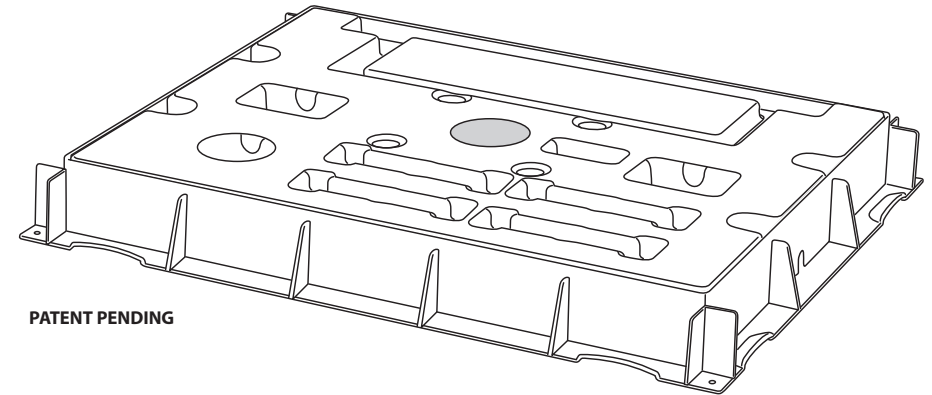
Phone 516 741-3062 • Fax 516 742-3617

info@beesmartdesigns.com



Bee Smart[®] Ultimate Insulated Inner Hive Cover

USER GUIDE



PATENT PENDING

QUICK START

- Remove outer telescoping cover and existing inner cover.
- Place **Insulated Inner Cover** on top box (brood or honey super) and align the 4 corner pins to sit inside the box to keep it centered and prevent movement. **Insulated Inner Cover** fits any standard 8-frame or 10-frame Langstroth box.
- Install 10-frame telescoping cover, Bee Smart Cover or traditional 10-frame wooden cover. 8-frame covers are not compatible with the **Insulated Inner Cover**. Bee Smart offers the 'DUO™' Cover/Insulated Inner Cover combination package that gives the benefits and advanced features of both products, along with savings.
- If you want to install the **Entrance Disk** install it below the hand hold and then use the center hole on the vent portion to locate the spot to drill a hole (½" - 1"). Screw is not provided.
- The **Insulated Inner Cover** ships with the upper entrance feature closed plus the **Entrance Disk** under the foam and top cap stored in its recess.
- There are storage compartments for a Bee Smart Robbing Screen, Bottom Board mouse guards/entrance reducers and 3-Season Feeder feet to keep things organized and secure/handy when not in use.

SUMMER USE

- Remove **Center Cap** from Center Hole and store it on top of **Insulation Board**.
- If using **Entrance Disk** rotate to Open, Vent or Queen Excluder position, in Open position you can adjust the amount of opening. If robbing looks imminent put into Vent position.

WINTER USE

During the winter you have 3 options

- Sealed top
- Top upper entrance
- Middle upper entrance

• Sealed Top (Darwinian) Option

- Install the 1.5" diameter **Upper Vent Cap** in the center hole. Make sure to remove after Winter and store on top of **Insulation Board**.
- Make sure that the **Upper Entrance** feature is shut off; this is how the **Insulated Inner Cover** is shipped. To check, lift the **Insulation Board**, using the **Finger Grips** on each end, and make sure that the **Tunnel** section is on the side away from the doorways in the center tube and front wall, then reinstall.

NOTE this option allows the bees to maintain their micro climate with the top of the hive retaining warmth; also any excess moisture will condense on the side walls where it will not drip on the bees yet provide water if needed.

• Top Upper Entrance Option

- Make sure that the **Top Upper Entrance** feature is active. To check lift the **Insulation Board**, using the **Finger Grips** on each end, and make sure that the **Tunnel** section is on the side with the doorways in the center tube and front wall, then reinstall. This is the opposite way that the **Insulated Inner Cover** is shipped.
- The **Top Upper Entrance** feature should be shut off during the season to prevent robbing. Just rotate the **Insulation Insert** back to its original position.

NOTE this option creates draft in the hive since the upper entrance acts like a chimney which makes it harder for the bees to maintain their micro climate which is needed to reduce stress and energy requirements.

• Middle Upper Entrance Option

- Make sure that the **Top Upper Entrance** feature is shut off. To check, lift the

Insulation Board, using the **Finger Grips** on each end, and make sure that the **Tunnel** section is on the side away from the doorways in the center tube and front wall, then reinstall, this is the way that the **Insulated Inner Cover** is shipped.

- Rotate the **Entrance Disk** to the Open or partially Open position to create an **Upper Entrance** below the heat bubble.
- The **Middle Upper Entrance** feature should remain in the Vent or Closed mode after the nectar flow or if robbing is suspected.

NOTE this option creates a much smaller draft in the hive, below the heat bubble created above the hole, and prevents the Top Upper Entrance from acting like a chimney which makes it harder for the bees to maintain their micro climate which is needed to reduce stress and energy requirements.

• Other Winter Options

- Mountain Camp Feeder; add a shim under the **Insulated Inner Cover** then lay newspaper on top bars and add dry sugar.
- Candy Board; make a candy board and install under the **Insulated Inner Cover**.
- Fondant; add a shim under the **Insulated Inner Cover** and then add Fondant.
- Quilt Box; cover the center hole with a screen or porous material, add a 10-frame box and fill with absorbent material and then install cover.

FEEDER USE

- The **Insulated Inner Cover** works with most 10-frame top feeders, and In-Hive feeders, including the Bee Smart 3-Season In-Hive Feeder and Miller style feeders that allow access from the center hole in the inner cover.
- The Bee Smart 3 Season In-Hive Feeder can be used for Spring build up, Fall feeding and as an emergency Winter feeder. This easily fits inside a medium box above the **Insulated Inner Cover** and does not interfere with the Sealed or Upper Entrance options.
- The Bee Smart 3 Season In-Hive Feeder can be used with its Riser Feet to provide ventilation during the warmer months or without the Riser Feet to eliminate ventilation during the Winter.